

Stocked Electro-Mechanical Switches (SEM Series)

Stocked EM Standard EM Custom EM Standard PIN Multi-Throw PIN High Power PIN Switched Attenuators Switched Filter Banks Limiters

SP6T SMA (F) DC-18 GHz



Features

- DC-18 GHz
- Seven Models from Stock
- Standard Features Include: Failsafe and Latching Models, TTL Logic Control, Suppression Diodes Indicator Circuits Provided With All Models

Models

- SEM066, SEM163, SEM163D, SEM163T, SEM163DT, SEM163LD, SEM163LDT-24

Stocked Electro-Mechanical Switches (SEM Series)

Stocked EM Standard EM Custom EM Standard PIN Multi-Throw PIN High Power PIN Switched Attenuators Switched Filter Banks Limiters

SP6T SMA (F) DC-18 GHz

Model	SEM066	SEM163	SEM163D	SEM163T
Features	SP6T (SMA), Normally Open, Miniature	SP6T (SMA), Normally Open, Indicator Ckt.	SP6T (SMA), Normally Open, TTL*, Suppression Diode, Indicator Ckt.	SP6T (SMA), Normally Open, Terminated, Indicator Ckt
Actuating Current	170 mA @28 Vdc & 25°C	140mA @28Vdc & 25°C	140mA @28Vdc & 25°C	140mA @28Vdc & 25°C
Frequency Range (GHz)	DC-18	DC-18	DC-18	DC-18
Insertion Loss dB (max) DC-3 GHz	0.2	0.2	0.2	0.2
Insertion Loss dB (max) 3-8 GHz	0.3	0.3	0.3	0.3
Insertion Loss dB (max) 8-12.4 GHz	0.4	0.4	0.4	0.4
Insertion Loss dB (max) 12.4-18 GHz	0.5	0.5	0.5	0.5
VSWR (max) DC-3 GHz	1.2:1	1.2:1	1.2:1	1.2:1
VSWR (max) 3-8 GHz	1.3:1	1.3:1	1.3:1	1.3:1
VSWR (max) 8-12.4 GHz	1.4:1	1.4:1	1.4:1	1.4:1
VSWR (max) 12.4-18 GHz	1.5:1	1.5:1	1.5:1	1.5:1
Isolation dB (min) DC-3 GHz	70	80	80	80
Isolation dB (min) 3-8 GHz	60	70	70	70
Isolation dB (min) 8-12.4 GHz	60	60	60	60
Isolation dB (min) 12.4-18 GHz	60	60	60	60
Actuation	Normally Open, 28V	Normally Open, 28V	Normally Open, 28V	Normally Open, 28V
Indicator Circuitry	N/A	Included	Included	Included
Termination 50 OHMS	N/A	N/A	N/A	Included
Suppression Diodes	N/A	N/A	Included	N/A
TTL Logic	N/A	Included	Included	N/A
Special Notes:	N/A	N/A	A	N/A

Special Notes:

- A: 1. Selected switch position is controlled by TTL Logic.
2. Switch requires only nominal +28 Vdc for coils (additional 5 Vdc is not required).
3. TTL LOGIC LEVEL: Low 0 to .8 Vdc, High 2.5 to 5.0 Vdc
4. TTL LOGIC INPUT CURRENT: Low 0 mA, High 1.6 mA max @ 3.85 Vdc

Stocked Electro-Mechanical Switches (SEM Series)

Stocked EM Standard EM Custom EM Standard PIN Multi-Throw PIN High Power PIN Switched Attenuators Switched Filter Banks Limiters

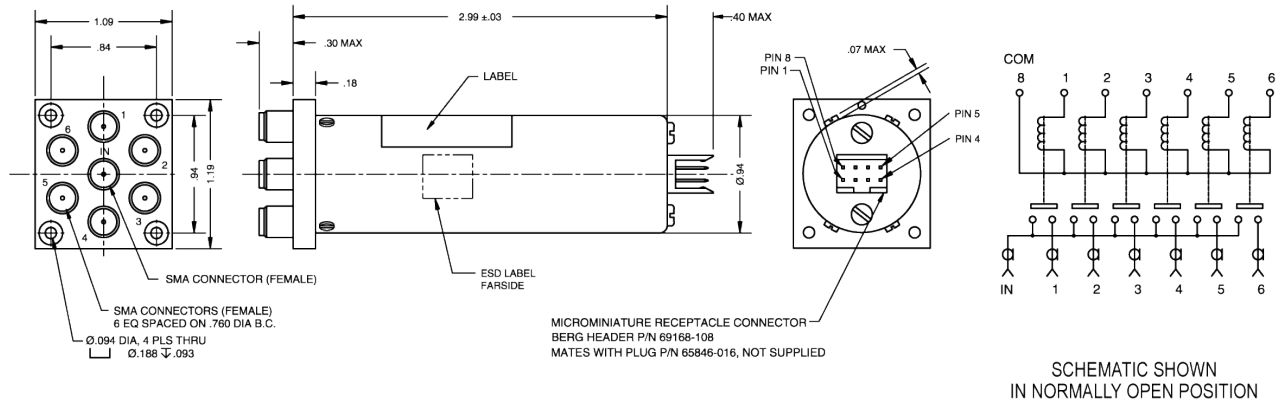
SP6T SMA (F) DC-18 GHz

Model	SEM163DT	SEM163LD	SEM163LDT-24
Features	SP6T (SMA), Normally Open, Terminated, TTL*, Suppression Diode, Indicator Ckt.	SP6T (SMA), Pulse Latching, TTL*, Suppression Diode, Self De-Energizing, Indicator Ckt.	SP6T (SMA), Pulse Latching, Indicator Ckt., Self De-Energizing
Actuating Current	140mA @28Vdc & 25°C	600mA @28Vdc & 25°C	250mA @28Vdc & 25°C
Frequency Range (GHz)	DC-18	DC-18	DC-18
Insertion Loss dB (max) DC-3 GHz	0.2	0.2	0.2
Insertion Loss dB (max) 3-8 GHz	0.3	0.3	0.3
Insertion Loss dB (max) 8-12.4 GHz	0.4	0.4	0.4
Insertion Loss dB (max) 12.4-18 GHz	0.5	0.5	0.5
VSWR (max) DC-3 GHz	1.2:1	1.2:1	1.2:1
VSWR (max) 3-8 GHz	1.3:1	1.3:1	1.3:1
VSWR (max) 8-12.4 GHz	1.4:1	1.4:1	1.4:1
VSWR (max) 12.4-18 GHz	1.5:1	1.5:1	1.5:1
Isolation dB (min) DC-3 GHz	80	80	80
Isolation dB (min) 3-8 GHz	70	70	70
Isolation dB (min) 8-12.4 GHz	60	60	60
Isolation dB (min) 12.4-18 GHz	60	60	60
Actuation	Normally Open 28V	Latching, 28V	Latching, 24V
Indicator Circuitry	Included	Included	Included
Termination 50 OHMS	Included	N/A	N/A
Suppression Diodes	Included	Included	N/A
TTL Logic	Included	Included	N/A
Special Notes:	A	A	N/A
Special Notes:			
A: 1. Selected switch position is controlled by TTL Logic.			
2. Switch requires only nominal +28 Vdc for coils (additional 5 Vdc is not required).			
3. TTL LOGIC LEVEL: Low 0 to .8 Vdc, High 2.5 to 5.0 Vdc			
4. TTL LOGIC INPUT CURRENT: Low 0 mA, High 1.6 mA max @ 3.85 Vdc			

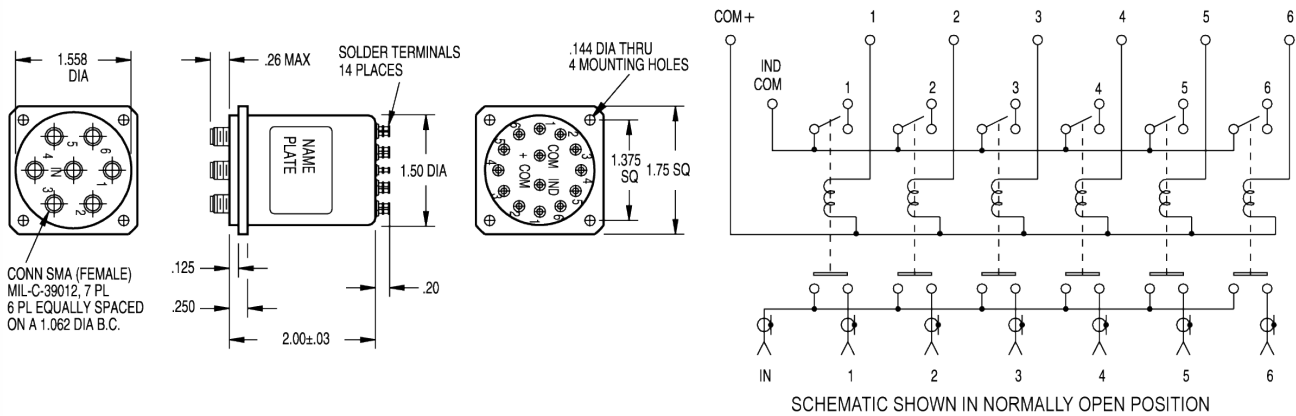
Stocked Electro-Mechanical Switches (SEM Series)

Stocked EM Standard EM Custom EM Standard PIN Multi-Throw PIN High Power PIN Switched Attenuators Switched Filter Banks Limiters

SP6T SMA (F) DC-18 GHz



SEM066

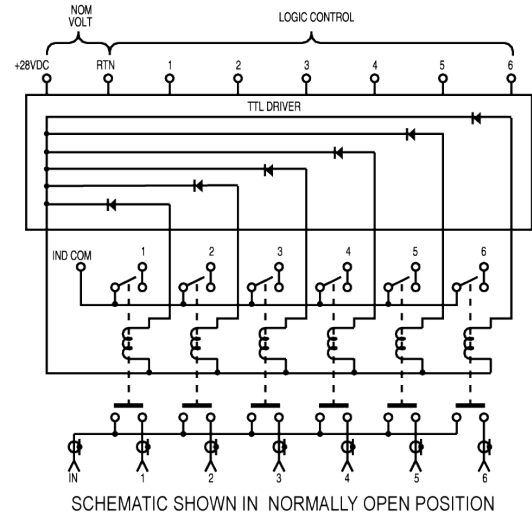
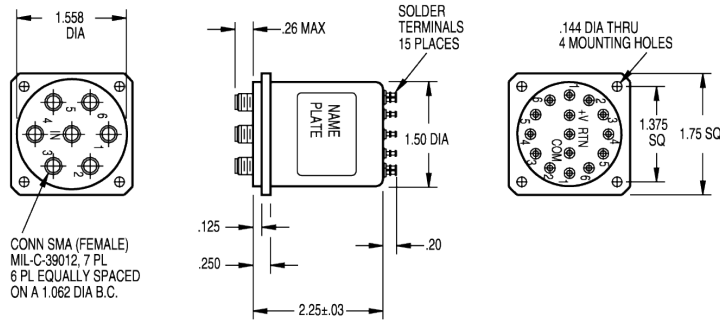


SEM163

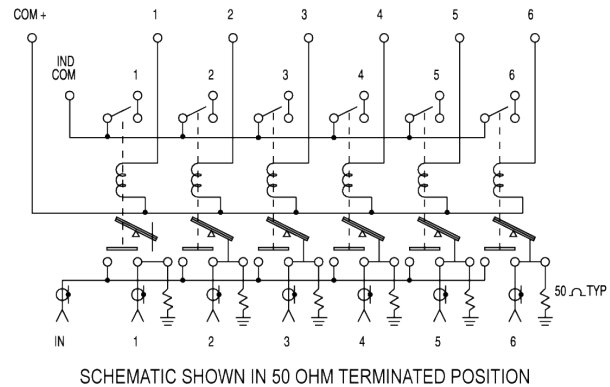
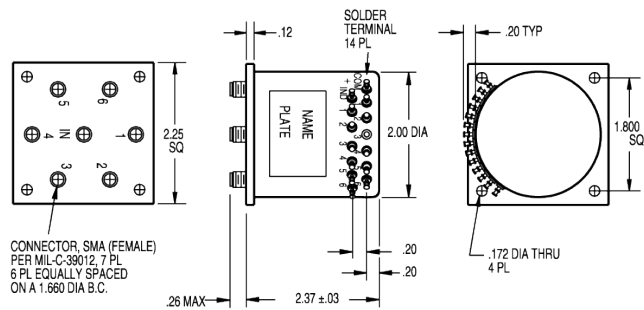
Stocked Electro-Mechanical Switches (SEM Series)

Stocked EM Standard EM Custom EM Standard PIN Multi-Throw PIN High Power PIN Switched Attenuators Switched Filter Banks Limiters

SP6T SMA (F) DC-18 GHz



SEM163D

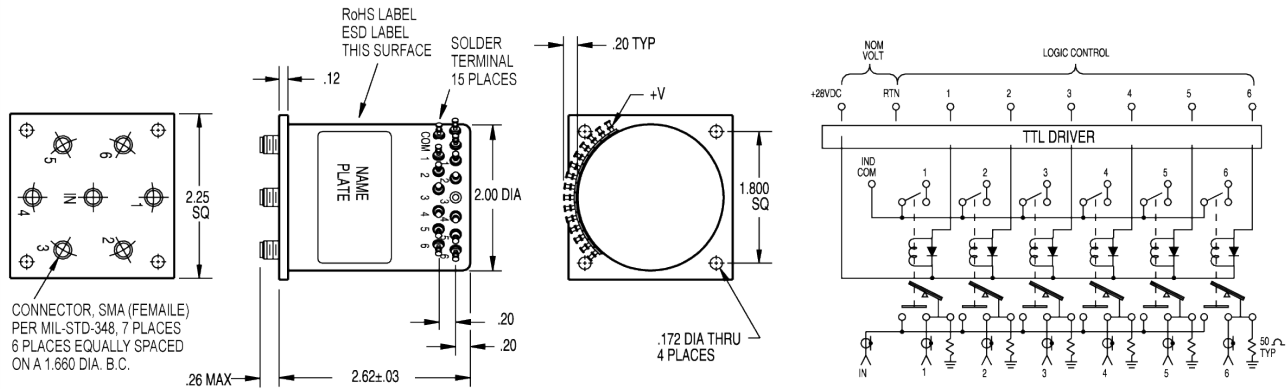


SEM163T

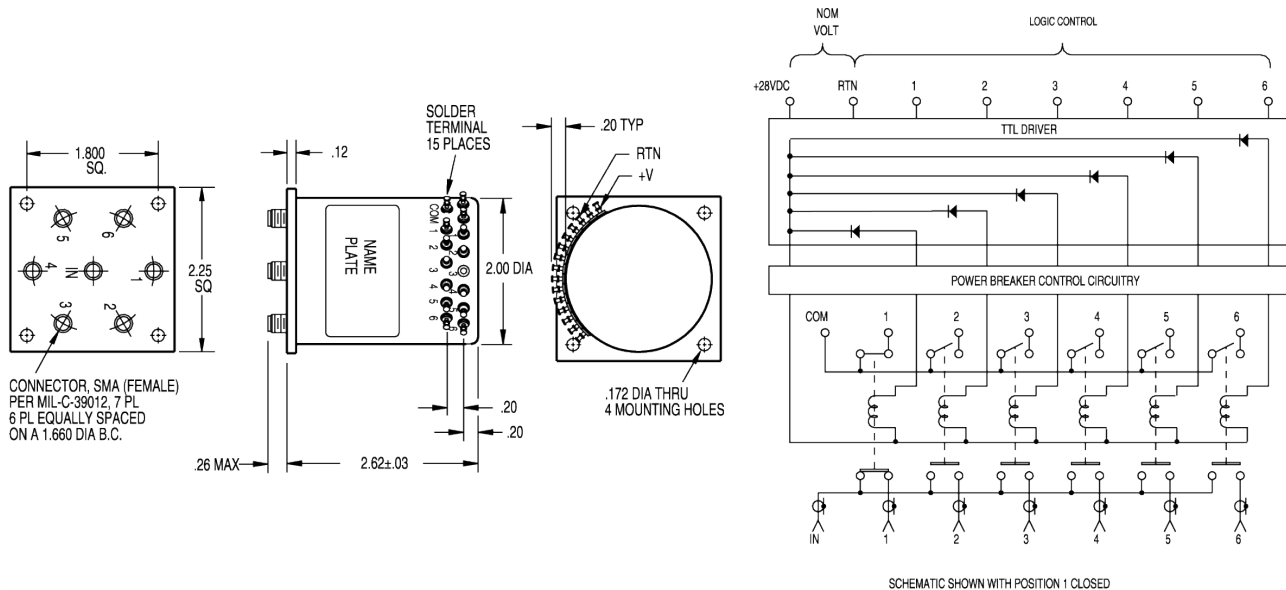
Stocked Electro-Mechanical Switches (SEM Series)

Stocked EM Standard EM Custom EM Standard PIN Multi-Throw PIN High Power PIN Switched Attenuators Switched Filter Banks Limiters

SP6T SMA (F) DC-18 GHz



SEM163DT

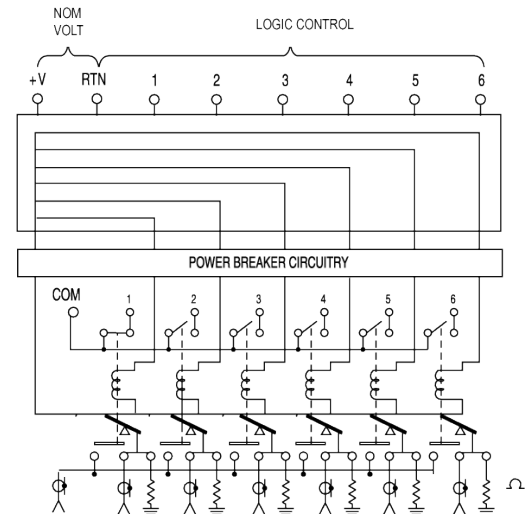
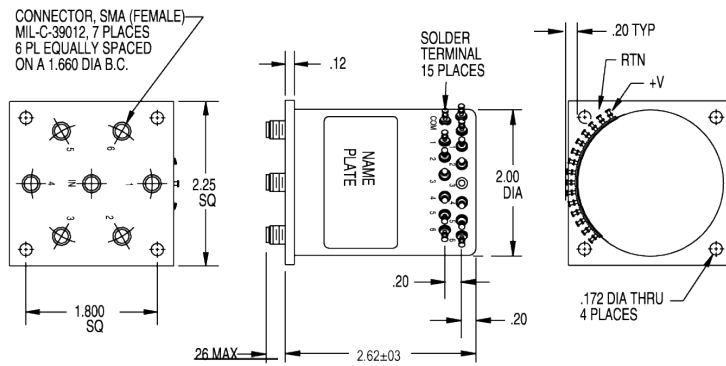


SEM163LD

Stocked Electro-Mechanical Switches (SEM Series)

Stocked EM Standard EM Custom EM Standard PIN Multi-Throw PIN High Power PIN Switched Attenuators Switched Filter Banks Limiters

SP6T SMA (F) DC-18 GHz



SEM163LDT-24